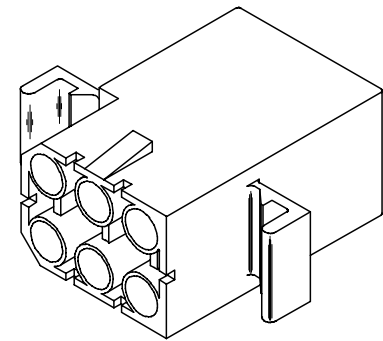
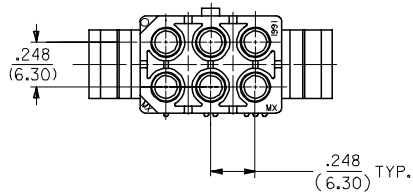
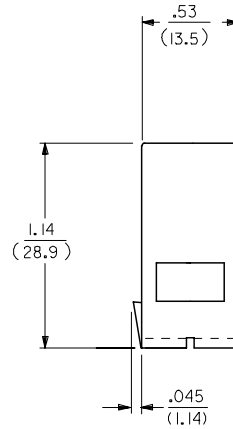
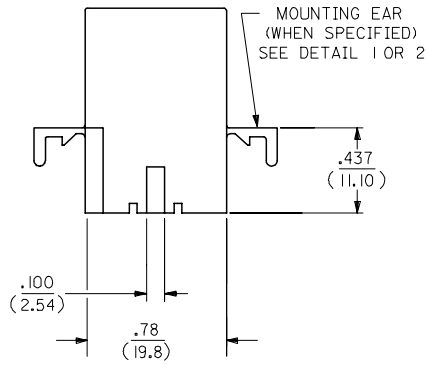
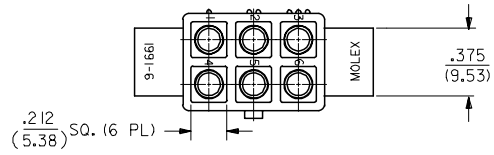


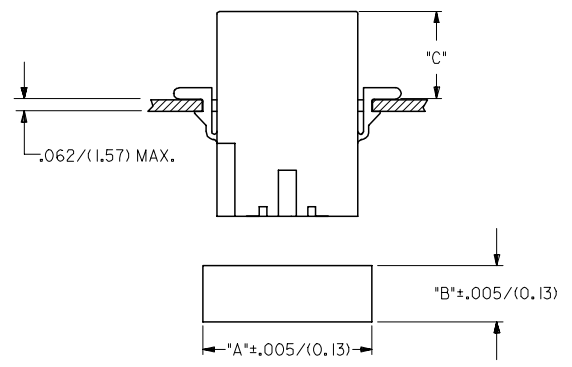
RECEPTACLE



RECEPTACLE HOUSING

UPDATE TITLE BLOCK EC NO: UCP2007-1498 DRAWN: AELHAG 2007/04/04 CHKD: AELHAG 2007/04/04 APPR: FSM TH 2007/04/04 REV DESCRIPTION	QUALITY SYMBOLS	GENERAL TOLERANCES (UNLESS SPECIFIED)	DIMENSION STYLE	SCALE	DESIGN UNITS	THIRD ANGLE PROJECTION	
	$\nabla=0$ $\nabla=0$	mm INCH 4 PLACES ± --- ± --- 3 PLACES ± --- ± .010 2 PLACES ± 0.25 ± .014 1 PLACE ± 0.36 ± --- ANGULAR ± 1 °	IN/MM	2:1	INCH	TITLE .093/(2.36) HOUSINGS, PLUG AND RECEPTACLE, 6 CKT, .248/(6.30) CTRS.	
		DRAFT WHERE APPLICABLE MUST REMAIN WITHIN DIMENSIONS	SEE CHART	DRAWN BY DATE JJS 1988/02/25 CHECKED BY DATE RW 1988/02/25 APPROVED BY DATE RAS 1988/02/25		MATERIAL NO. RAS	MOLEX INCORPORATED DOCUMENT NO. SD-1991-6*
				SIZE C		SHEET NO. 2 OF 3	

PLUG			RECEPTACLE		
PART NO.	ENG. NO.	PKG. INFORMATION	PART NO.	ENG. NO.	PKG. INFORMATION
I9-09-2061	I991-6P	PK-1991-001	I9-09-1061	I991-6R	PK-1991-001
I9-09-2062	I991-6P1	PK-1991-001	I9-09-1062	I991-6R1	PK-1991-002
I9-09-7061	I991-6PBK	PK-1991-001	I9-09-6061	I991-6RBK	PK-1991-001
I9-09-7062	I991-6P1BK	PK-1991-001	I9-09-1068	I991-6R1-B	PK-1991-001

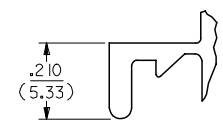


HOUSING	DIM. "A"	DIM. "B"	DIM."C" STD.EAR	DIM."C" PREBENT
PLUG	1.048/(26.62)	.658/(16.71)	.51/(12.9)	.52/(13.2)
RECEPTACLE	.946/(24.03)	.608/(15.44)	.53/(13.5)	.54/(13.7)

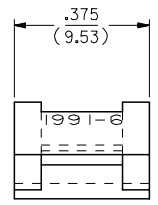
- NOTES:
- MATERIAL CODES:
A - NYLON TYPE 6/6, UL 94V-2
B - NYLON TYPE 6/6, UL 94V-0
 - FINISH: N/A
 - PRODUCT SPECIFICATION: PS-02-09
 - PACKAGING SPECIFICATION: SEE CHART
 - HOUSINGS FOR USE WITH MOLEX STD. .093/(2.36) TYPE TERMINALS.
 - PARTS CONFORM TO CLASS B REQUIREMENTS OF COSMETIC SPECIFICATION PS-45499-002.

LEGEND:

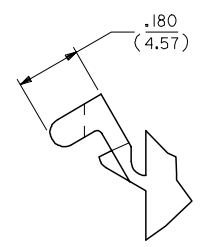
- 1991-6****-*
- CIRCUIT SIZE
- P = PLUG
R = RECEPTACLE
- BLANK = WITH STANDARD EARS
1 = WITHOUT EARS
2 = WITH PREBENT EARS, PER DETAIL 2
- COLOR: BLANK=NATURAL COLOR
AM=AMBER BK=BLACK BU=BLUE
BN=BROWN CY=GRAY GN=GREEN
OR=ORANGE RD=RED YW=YELLOW
- BLANK = MATERIAL CODE A
B = MATERIAL CODE B



DETAIL 1
STANDARD MOUNTING EARS
(SCALE 4:1)



DETAIL 2
PREBENT MOUNTING EAR
(SCALE 4:1)



ADD NOTES 2,4&6 EC NO: UCP2007-1498 DRWNA:ELHAG 2007/04/04 CHKD:ALHAG 2007/04/04 APPR:FSM TH 2007/04/04 REVISIONS	QUALITY SYMBOLS	GENERAL TOLERANCES (UNLESS SPECIFIED)	DIMENSION STYLE	SCALE	DESIGN UNITS	THIRD ANGLE PROJECTION															
	$\nabla=0$ $\nabla=0$	<table border="1"> <thead> <tr> <th></th> <th>mm</th> <th>INCH</th> </tr> </thead> <tbody> <tr> <td>4 PLACES</td> <td>± .10</td> <td>± .004</td> </tr> <tr> <td>3 PLACES</td> <td>± .12</td> <td>± .005</td> </tr> <tr> <td>2 PLACES</td> <td>± .15</td> <td>± .006</td> </tr> <tr> <td>1 PLACE</td> <td>± .20</td> <td>± .008</td> </tr> </tbody> </table>		mm	INCH	4 PLACES	± .10	± .004	3 PLACES	± .12	± .005	2 PLACES	± .15	± .006	1 PLACE	± .20	± .008	IN/MM	2:1	INCH	
		mm	INCH																		
	4 PLACES	± .10	± .004																		
3 PLACES	± .12	± .005																			
2 PLACES	± .15	± .006																			
1 PLACE	± .20	± .008																			
		DRAWN BY: JJS DATE: 1988/03/01 CHECKED BY: RW DATE: 1988/03/01 APPROVED BY: RAS DATE: 1988/03/01	TITLE	.093/(2.36) HOUSINGS, PLUG AND RECEPTACLE, 6 CKT, .248/(6.30) CTRS.																	
		DRAFT WHERE APPLICABLE MUST REMAIN WITHIN DIMENSIONS	SEE CHART	MATERIAL NO.	DOCUMENT NO.	SHEET NO.															
					SD-1991-6*	3 OF 3															