

LOW PROFILE SHIELDED SMD CHIP POWER INDUCTOR



6.0 x 6.0 x 2.0mm

ASPI-0615FS



RoHS/RoHS II Compliant

FEATURES:

- Small size and low profile: 2.0mm
- Small DCR and high rated current
- High reliability to mechanical strength
- Magnetically shielded by magnetic powder molding
- Suitable for RoHS reflow profile

APPLICATIONS:

- DC/DC converter for LCD display of notebook PC
- Portable communication equipment
- Digital cameras

ELECTRICAL SPECIFICATIONS:

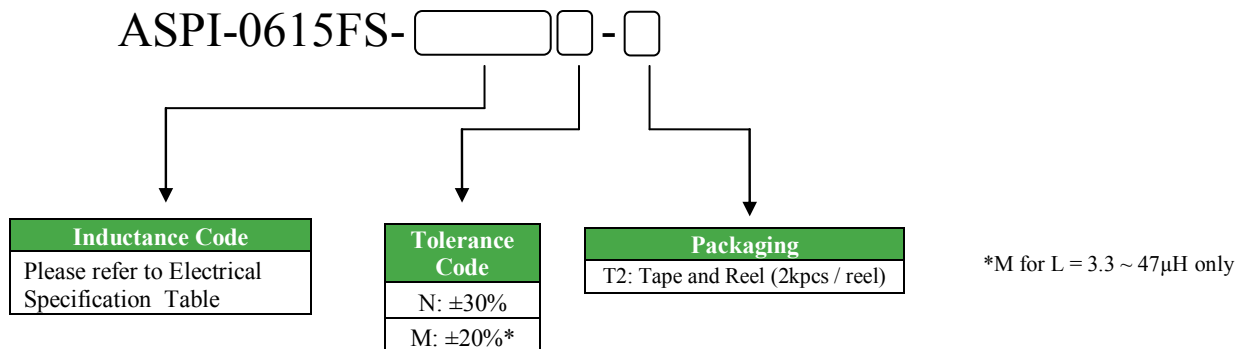
Abracon P/N:	ASPI-0615FS Series
Operating Temperature & Humidity :	-25°C to +120°C (Including self generated heat)
Storage Temperature & Humidity:	-10°C to +40°C, 30% to 70% RH

Part Number ASPI-0615FS- Inductance Code	Inductance	Inductance Tolerance	DCR	DCR Tolerance	Saturation Current	Temperature Rise Current
Units	μH	%	mΩ	%	A	A
Symbol	L	M, N	DCR		Isat	Irms
ASPI-0615FS-R50	0.5	N	9	±30%	7.00	5.20
ASPI-0615FS-R80	0.8	N	12		6.00	4.10
ASPI-0615FS-1R5	1.5	N	17		4.00	3.60
ASPI-0615FS-2R2	2.2	N	24		3.50	2.90
ASPI-0615FS-3R3	3.3	M, N	30		2.80	2.80
ASPI-0615FS-4R7	4.7	M, N	43	±20%	2.40	2.20
ASPI-0615FS-5R6	5.6	M, N	55		2.20	2.00
ASPI-0615FS-6R8	6.8	M, N	60		2.00	1.80
ASPI-0615FS-100	10	M, N	90		1.90	1.50
ASPI-0615FS-150	15	M, N	120		1.30	1.20
ASPI-0615FS-220	22	M, N	170		1.10	1.00
ASPI-0615FS-330	33	M, N	310		0.90	0.90
ASPI-0615FS-470	47	M, N	370	0.80	0.80	

Test Conditions

1. Inductance is measured in HP-4285A Precision LCR Meter.
2. RDC is measured in DU-5011 milli ohm meter.(or equivalent).
3. Isat : Based on inductance change ($\Delta L/L_o : \leq -30\%$)
4. Irms : Based on temperature rise ($\Delta T : 40^\circ\text{C TYP.}$)
5. Test Freq: 100KHz, 1Vrms

OPTIONS AND PART IDENTIFICATION



LOW PROFILE SHIELDED SMD CHIP POWER INDUCTOR

ASPI-0615FS



RoHS/RoHS II Compliant

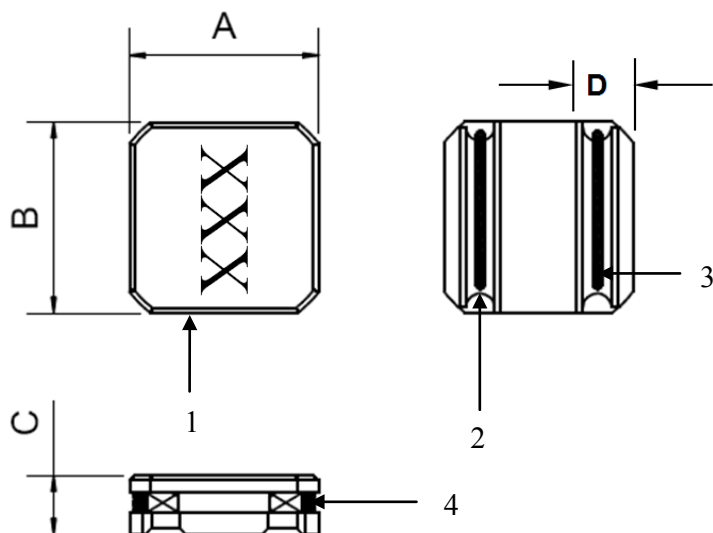


6.0 x 6.0 x 2.0mm

OUTLINE DRAWING:

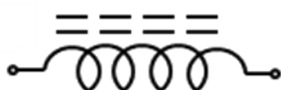
Mechanical Dimensions (Effective date: 2/15/2012)

Please contact Abracon for products purchased before effective date. Package outline is different due to core material change.



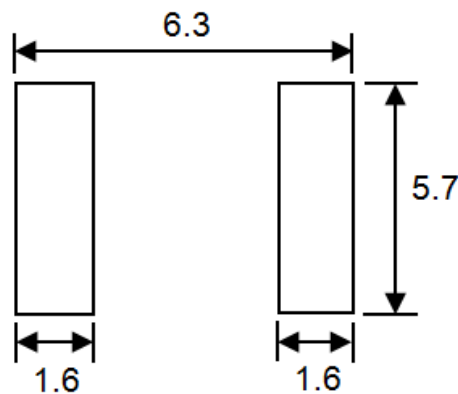
A	B	C	D Typ.
6.0±0.2	6.0±0.2	2.0±0.2	1.50

Circuit Schematic



No Polarity

Recommended Land Pattern



Dimension: mm

Material

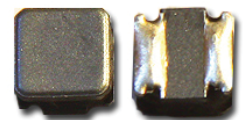
No	Part Name	Material
1	Ferrite core	Ni-Zn Ferrite
2	Terminals	Ag/Ni/Sn
3	Coil	Cu/P180 Grd 1
4	Adhesive	Silicon Base Resin
	Magnetic Powder	Ni-Zn Ferrite

LOW PROFILE SHIELDED SMD CHIP POWER INDUCTOR

ASPI-0615FS



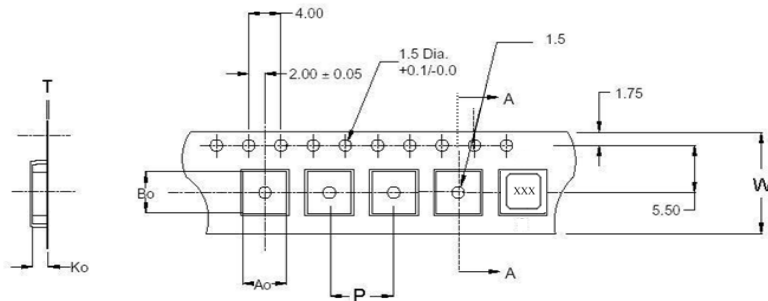
RoHS/RoHS II Compliant



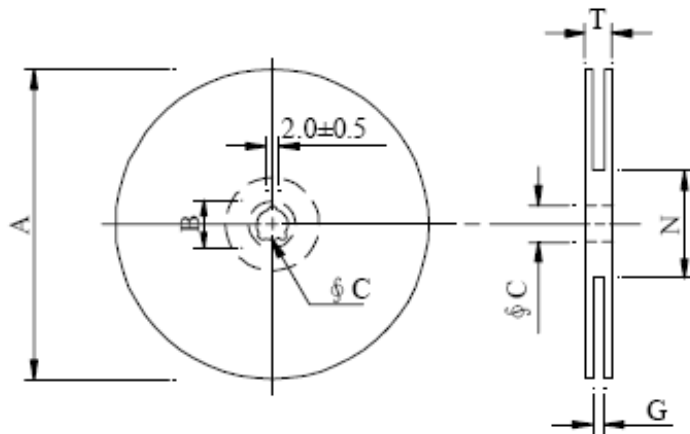
6.0 x 6.0 x 2.0mm

TAPE & REEL:

T2: 2,000pcs / reel



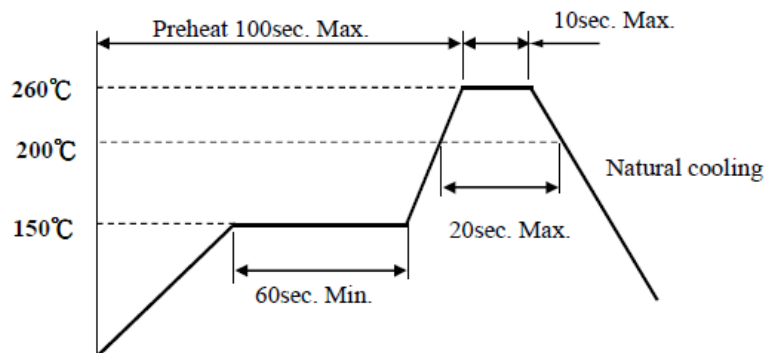
Ao	6.35
Bo	6.20
Ko	2.40
W	16.00
P	12.00
T	0.40



A	330
B	21.0±0.8
C	13.5±0.5
G	16.6
N	99.5
T	21

Dimension: mm

REFLOW PROFILE:



ATTENTION: Abracon Corporation's products are COTS – Commercial-Off-The-Shelf products; suitable for Commercial, Industrial and, where designated, Automotive Applications. Abracon's products are not specifically designed for Military, Aviation, Aerospace, Life-dependant Medical applications or any application requiring high reliability where component failure could result in loss of life and/or property. For applications requiring high reliability and/or presenting an extreme operating environment, written consent and authorization from Abracon Corporation is required. Please contact Abracon Corporation for more information.

ABRACON IS
ISO9001:2008
CERTIFIED



Visit www.abracon.com for Terms & Conditions of Sale
30332 Esperanza, Rancho Santa Margarita, California 92688
tel 949-546-8000 | fax 949-546-8001 | www.abracon.com

Revised: 02.04.13