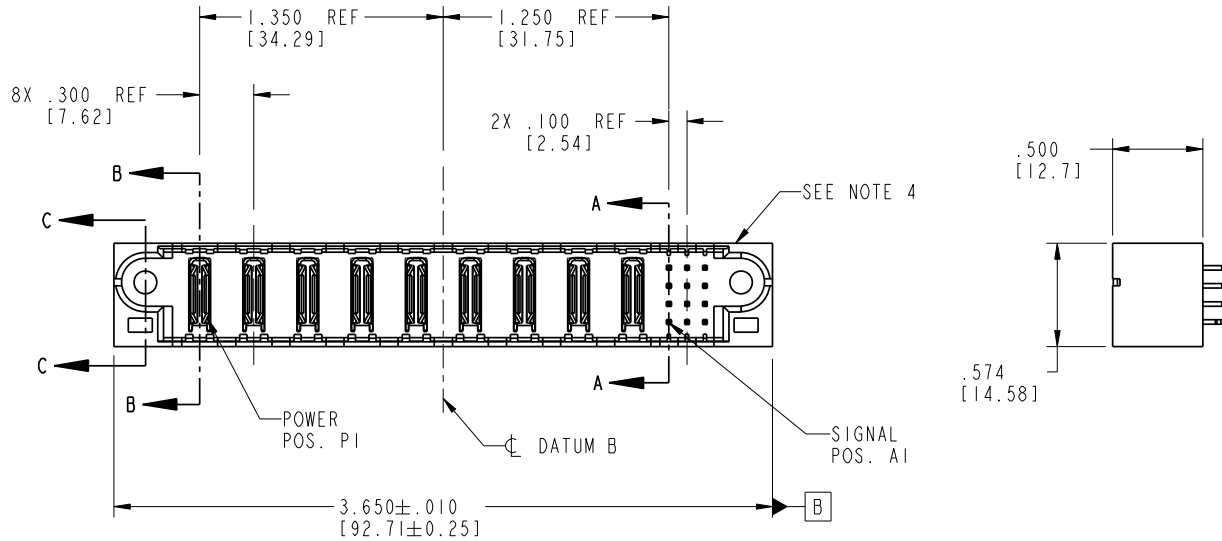


Tous droits strictement réservés. Reproduction ou communication à des tiers interdite sans que ce soit sans autorisation écrite du propriétaire. Propriété de c FCI. Droits de reproduction FCI.



All rights strictly reserved. Reproduction or issue to third parties in any form without written authority from the proprietor. Property of FCI. Copyright FCI.

PRODUCT NO.	ROWS	POWER									SIGNAL				
		E1	P1	P2	P3	P4	P5	P6	P7	P8	P9	1	2	3	E2
51952-024-- NOTE 3	0 UBA														



CODE	DIM "M" MATING LENGTH	CONTACT TYPE
E	.270 [6.86]	SIGNAL
H	.220 [5.59]	SIGNAL
PA	N/A [N/A]	POWER
HA	N/A [N/A]	HOLD-DOWN

mat'l code				SEE NOTE 2		tolerances unless otherwise specified		CUSTOMER		 www.fciconnect.com	
lir	ecn no.	dr	date	linear	.XX±.01/0.X±0.3	COPY		projection		title	
A	V03-0684	DA1	06/23/03		.XXX±.005/0.XX±0.13	INCH/MM				9ACP + 12S	
B	DG05-0481	Ryan	11/23/05	angles	.XXX±.0020/0.XXX±0.051	scale		1:1		VERTICAL SOLDER HEADER	
				dr	D. INGRAM 06/23/03	product family		PwrBlade		code	
				engr	M.MOSTOLLER 06/23/03	size		A		213	
				chr	M.MOSTOLLER 06/23/03	dwg no		51952-024		sheet	
				appd	M.MOSTOLLER 06/23/03	code		22526		1 of 4	
sheet index	revision		B	B	B	B					
	sheet		1	2	3	4					

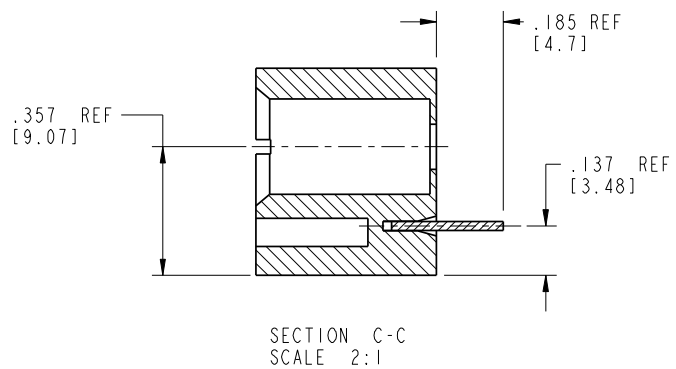
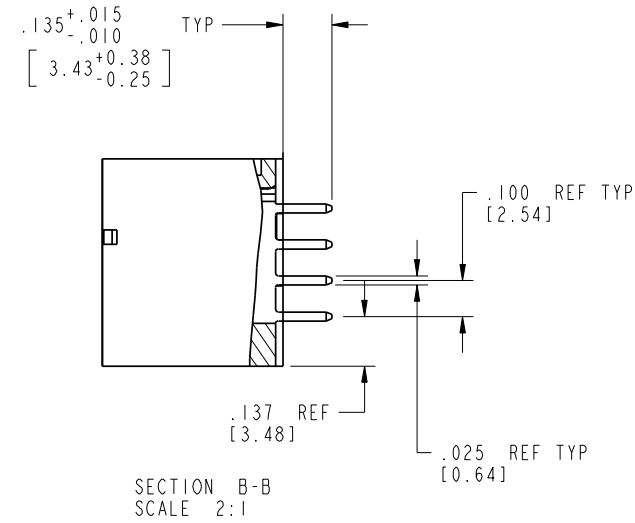
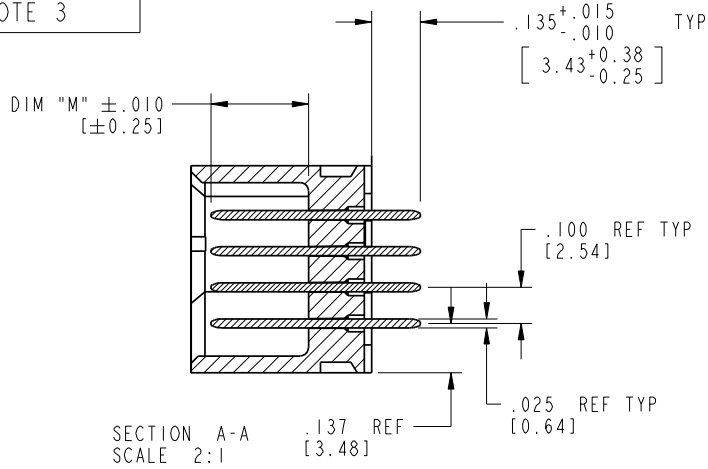
Pro/E

cage code 22526

Tous droits strictement reserves. Reproduction ou communication a des tiers interdite sous quelque forme que ce soit sans autorisation écrite du propriétaire. Propriete de c FCI. Droits de reproduction FCI.

All rights strictly reserved. Reproduction or issue to third parties in any form without is not permitted without written authority from the proprietor. Property of FCI. Copyright FCI.

PRODUCT NUMBER  
51952-024\_\_  
NOTE 3



mat'l code				SEE NOTE 2	tolerances unless otherwise specified		CUSTOMER		 www.fciconnect.com	
lir	ecn no.	dr	date	linear	.XX±.01/0.X±0.3	COPY		projection		title
B					.XXX±.005/0.XX±0.13					9ACP + 12S
				angles	.XXX±.002/0.XXX±0.051					VERTICAL SOLDER HEADER
				dr	0° ± 2°	D. INGRAM 06/23/03		INCH/MM		product family
				enrg		M.MOSTOLLER 06/23/03		scale		PwrBlade
				chr		M.MOSTOLLER 06/23/03		1:1		code
				appd		M.MOSTOLLER 06/23/03				213
sheet index		revision sheet								size
										dwg no
										A
										51952-024
										sheet
										2 of 4

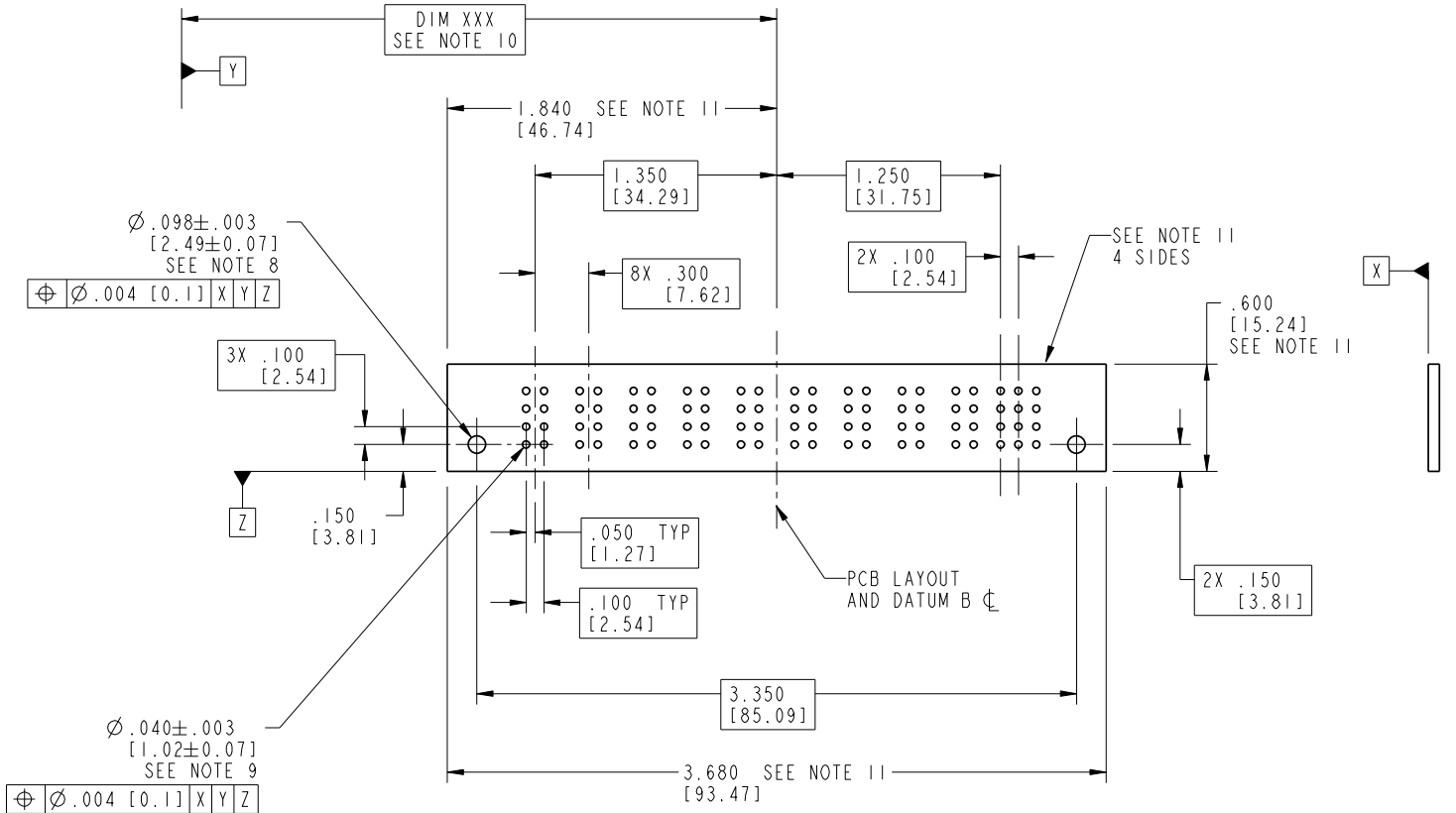
code code 22526

Pro/E

Tous droits strictement réservés. Reproduction ou communication à des tiers interdite sans quelque forme que ce soit sans autorisation écrite du propriétaire. Propriété de c FCI. Droits de reproduction FCI.

All rights strictly reserved. Reproduction or issue to third parties in any form without is not permitted without written authority from the proprietor. Property of FCI. Copyright FCI.

PRODUCT NUMBER  
51952-024\_\_  
NOTE 3



mat'l code SEE NOTE 2				tolerances unless otherwise specified		CUSTOMER		<b>FCI</b> www.fciconnect.com	
lir	ecr no.	dr	date	linear	.XX±.01/0.X±0.3	COPY		projection	
B					.XXX±.005/0.XX±0.13	INCH/MM		title 9ACP + 12S	
				angles	.XXX±.002/0.XXX±0.051	scale 1:1		product family PwrBlade code 213	
				dr	D. INGRAM 06/23/03	A		size 51952-024 sheet 3 of 4	
				enrg	M. MOSTOLLER 06/23/03				
				chr	M. MOSTOLLER 06/23/03				
				appd	M. MOSTOLLER 06/23/03				
sheet index	revision sheet								

cage code 22526

Pro/E

Tous droits strictement réservés. Reproduction ou communication à des tiers interdite sans quelque forme que ce soit sans autorisation écrite du propriétaire. Propriété de c FCI. Droits de reproduction FCI.

**A** FCI

All rights strictly reserved. Reproduction or issue to third parties in any form without written authority from the proprietor. Property of FCI. Copyright FCI.

**B**

1 | 2

3 |

4

PRODUCT NUMBER  
51952-024\_\_  
NOTE 3

NOTES:

1. DIMENSIONS AND TOLERANCES ARE IN ACCORDANCE WITH ASME Y14.5M, 1994 UNLESS OTHERWISE SPECIFIED.

CONNECTOR NOTES:

② HOUSING MATERIAL: UL 94 V-0 GLASS FILLED HIGH-TEMP THERMOPLASTIC

POWER CONTACT MATERIAL: COPPER ALLOY  
SIGNAL PIN MATERIAL: COPPER ALLOY

3. PLATING:

51952-024: SIGNAL PIN: 30u"/0.76um Au OVER 50u"/1.27um Ni ON THE CONTACT AREA  
AND 100u"/2.54um SnPb OVER 50u"/1.27um Ni ON THE TERMINATION AREA  
POWER PIN: 30u"/0.76um Au OVER 50u"/1.27um Ni ON THE CONTACT AREA  
AND 100u"/2.54um SnPb OVER 50u"/1.27um Ni ON THE TERMINATION AREA

51952-024LF: SIGNAL PIN: 30u"/0.76um Au OVER 50u"/1.27um Ni ON THE CONTACT AREA  
AND 78u"/2.00um Sn OVER 50u"/1.27um Ni ON THE TERMINATION AREA  
POWER PIN: 30u"/0.76um Au OVER 50u"/1.27um Ni ON THE CONTACT AREA  
AND 78u"/2.00um Sn OVER 50u"/1.27um Ni ON THE TERMINATION AREA

PART NUMBER 51952-024LF MEETS EUROPEAN UNION DIRECTIVE AND OTHER COUNTRY REGULATIONS AS DESCRIBED IN GS-22-008.

THE HOUSING WILL WITHSTAND EXPOSURE TO 260° PEAK TEMPERATURE FOR 10 SECONDS IN A WAVE SOLDER APPLICATION WITH A CIRCUIT BOARD.

④ MANUFACTURER'S NAME, P/N, AND DATE CODE TO APPEAR ON THIS SURFACE.

5. PRODUCT SPECIFICATION GS-12-149.  
APPLICATION SPECIFICATION BUS-20-067.

6. PACKAGED IN TRAYS.

PCB NOTES:


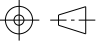
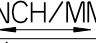
7. ALL HOLE DIAMETERS ARE FINISHED HOLE SIZE.

8. MOUNTING HOLES, WHERE APPLICABLE, ARE UNPLATED.

⑨  $\varnothing .0453 \pm .0010$  [1.151  $\pm$  0.025] DRILLED HOLES PLATED WITH  
.0003 [0.008] MIN SnPb OVER .001 [0.03]  
TO .003 [0.08] Cu PLATING TO ACHIEVE  
 $\varnothing .040 \pm .003$  [1.02  $\pm$  .07] HOLE.

⑩ "DIM XXX" TO BE DETERMINED BY THE CUSTOMER.

⑪ CONNECTOR KEEP-OUT ZONE.

mat'l code				SEE NOTE 2		tolerances unless otherwise specified		CUSTOMER		 <b>FCI</b> www.fciconnect.com	
lfr	ecr no.	dr	date	linear	.XX±.01/0.X±0.3		COPY		projection	title	
B					.XXX±.005/0.XX±0.13					9ACP + 12S	
				angles	.XXX±.002/0.XXX±0.051		INCH/MM			VERTICAL SOLDER HEADER	
					$0^{\circ} \pm 2^{\circ}$		product family PwrBlade code size dwg no 213 scale 1:1 A 51952-024 sheet 4 of 4				
dr				enr	D. INGRAM	06/23/03					
				chr	M. MOSTOLLER	06/23/03					
				appd	M. MOSTOLLER	06/23/03					
sheet index	revision sheet										

1 | 2

Pro/E

3 |

cage code 22526

4